

Datasheet: Air conditioner without external unit – DC Inverter-Wi-Fi

Datasheet code: XSCT00151 - rev03 – Date 31/01/2025

Family: air conditioners

Description



POLO is an air-to-air air conditioner without an external unit. Installed on an external wall it activates secondary circulation through two 182 mm diameter sockets.

The autonomous digital adjustment system, on board the machine, is equipped with touch buttons and transparent display. The air conditioner can be controlled from the on-board button panel, remote control or smartphone.

The load-bearing structure is made of sturdy aluminized sheet metal while the casing is made of white powder-coated steel. The ambient air outlet flap is made of white painted aluminum, with automatic opening.

POLO is complete with condensation collection tray and removable thin-mesh air

filter.



The refrigeration gas used is R290, with very low global warming potential and zero ozone destruction potential (GWP=3,ODP=0)

Functions-equipment

- Cooling, heating, dehumidification and ventilation. (POLO 8K BTU/h does not have the heating function);
- Infrared remote control included;
- Silent operation (39 dB in silence mode);
- Speed adjustment (three speeds + "silent" function);
- 24 hour timer to program switching on and off;
- Compressor protection (switch-on delay of 3-5 minutes);
- Self-diagnosis;
- Condensate self-evaporation;
- Dust filter;
- Installation Template and external grids supplied;

Ideal Clima Srl -Brescia
Tel: +39.030.3545319
Fax: +39.030.5109329
www.idealclima.eu

Compliance

POLO is built in compliance with the European directives that concern it, in particular:

- RoHS Directive (2011/65/EU hazardous substances)
- EMC Directive (2014/30/EU electromagnetic compatibility)
- LVD Directive (2015/35/EU low voltage)
- Ecodesign Directive (2009/125 EU energy classification)
- RED Directive (2014/53/EU radio frequency emissions)
- F-GAS Regulation (EU 517/2014 updated to 2023)

Field of use

POLO is designed for:

- Heating, cooling and dehumidifying rooms.
- Be installed wherever the presence of external units is difficult.
- Do not affect the aesthetics of the buildings

Control mode

The unit can be controlled in the following ways:

- control on board the machine
- standard remote control
- SmartLife compatible Wi-Fi connection

Additional features

- The 10K BTU and 12K BTU units have an additional PTC electric heating element. When the outdoor weather conditions are too cold, you can press the PTC button on the remote control to activate the electric heating function to increase the heat. The thermal power of the PTC is equal to 1,000 W.

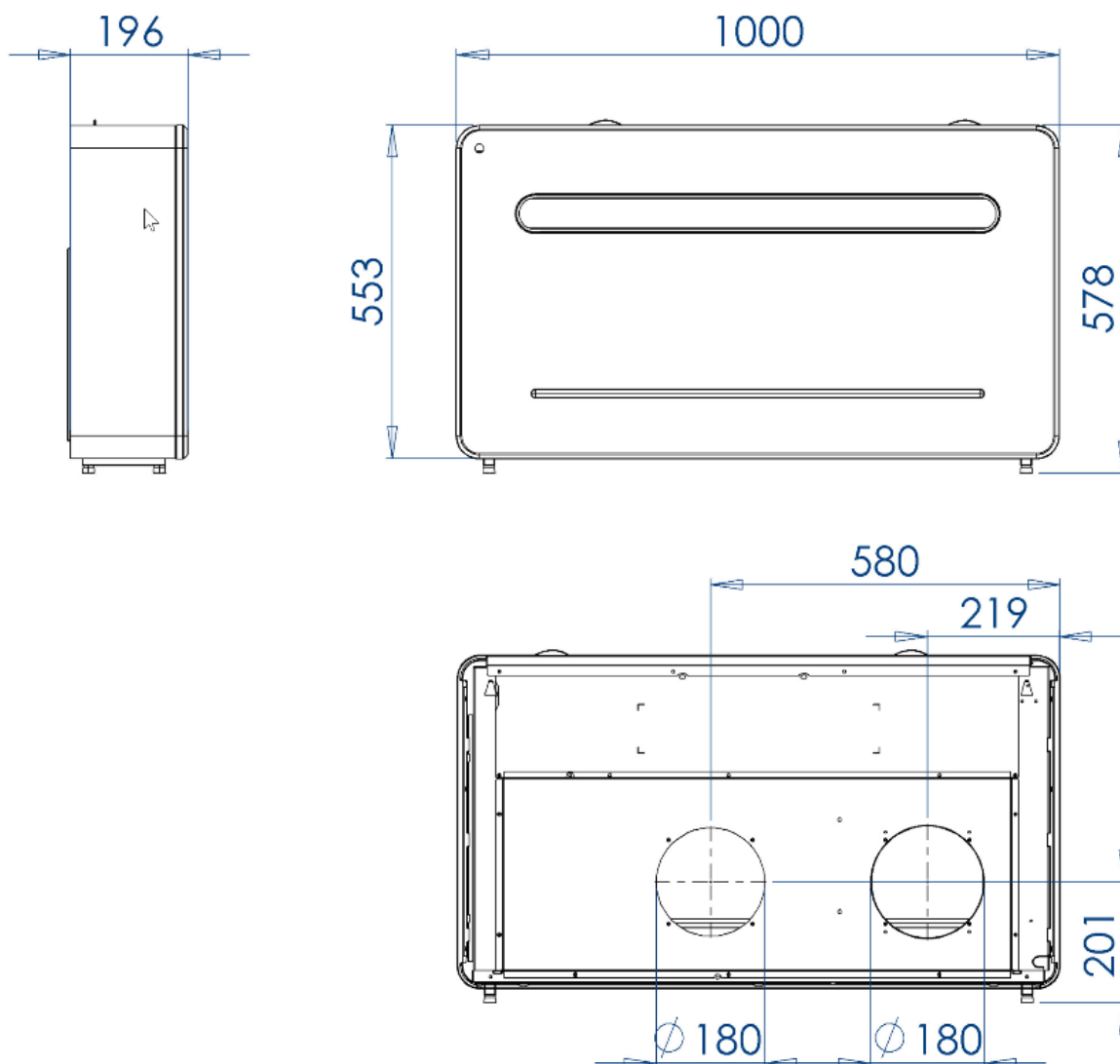
Automatic function

- Defrost
10K BTU and 12K BTU units, in heating mode, require defrosting. Defrosting occurs automatically with variable activation times depending on external conditions. During the Defrost the sun icon flashes, if necessary, the PTC resistance is also turned on automatically. The 8K model, that does not have the heating function, does not need defrost.

Condensate Drain

- During the normal operation of POLO in cooling mode, the production of condensation is normal, therefore it is essential to provide the possibility of discharging it even though POLO involves self-evaporation. If it is not possible to drain the condensate outside, provide sufficient space for a condensation collection tray. If the condensate is not discharged, POLO controls the level in the internal tray and, if this reaches the maximum level, POLO will lock out with the FL signal (Internal condensate tray too full error) on the display.

Drawing



Ideal Clima Srl -Brescia
Tel: +39.030.3545319
Fax: +39.030.5109329
www.idealclima.eu

Technical data

Description			POLO 8K BTU COOL ONLY	POLO 10K BTU HP INVERTER	POLO 12K BTU HP INVERTER
Code			CPL 23 F	CPL 29 D	CPL 35 D
Cooling power (35°C-27°C)	(1)	BTU/h	8'000	10'000	12'000
		W	2'350	2'930	3'500
Power absorbed for cooling.	(1)	W	900	1'120	1'340
Current absorbed for cooling.	(1)	TO	4.0	5.0	6.0
Compressor type	/	/	ON-OFF	INVERTER	INVERTER
EER	(1)	W/W	2.6	2.6	2.6
Cooling class	(2)		TO	TO	TO
Dehumidification capacity	(1)	l/h	0.8	1.0	1,2
Heating power (7°C-20°C)	(3)	BTU/h	NC	9'000	10'000
		W	NC	2'630	2'930
Power absorbed for heating. (PCOP)	(3)	W	NC	730	815
Current absorbed for heating	(3)	TO	NC	3.3	4.0
COP	/	W/W	NC	3.6	3.6
Heating class	(2)	/	NC	A+	A+
Power PTC Resistance		W	NC	1'000	1'000
Max current absorbed with PTC active		A	NC	8	8,5
Max internal air flow		mc/h	500	520	520
Degree of protection of the casing			IP 20		
Power supply		V/ph/Hz	220÷240V/1/50		
Minimum cable section			3 x 2,5 mm		
Minimum internal sound pressure (ventilation only)	(4)	dB(A)	27	28	29
Maximum internal sound pressure (ventilation only)	(4)	dB(A)	38	39	41
Sound pressure in silent mode		dB(A)	39	39	40
Sound power (EN12102) LWA		dB(A)	60	57.6	59.8
Condensate drainage pipe		mm	16		
Refrigerant gas			R290		
Refrigerant charge		g	280	290	290
GWP factor			3		
CO2 equivalent		†	0.00084		
External limit temperatures		°C	-7 ÷ 35		
Internal settable temperatures		°C	16 ÷ 30		
Empty weight		Kg	40.5	42.5	43.5
Air conditioner dimensions		cm	58x20x100	58x20x100	58x20x100
Packaging dimensions		approx	66x33x112	66x33x112	66x33x112

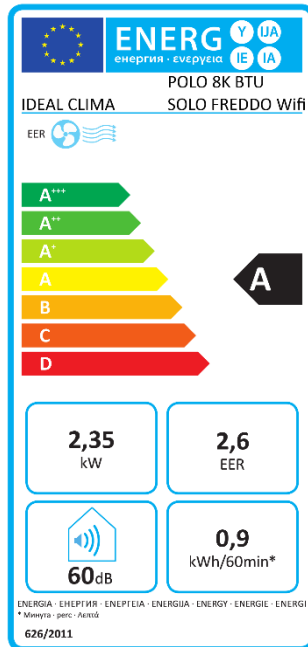
(1) External air temp. 35°, HR 41%. Ambient temp. 27 °C, HR 47% (UNI EN 14511)

(2) Energy classification according to EN 626/I 2011 directive

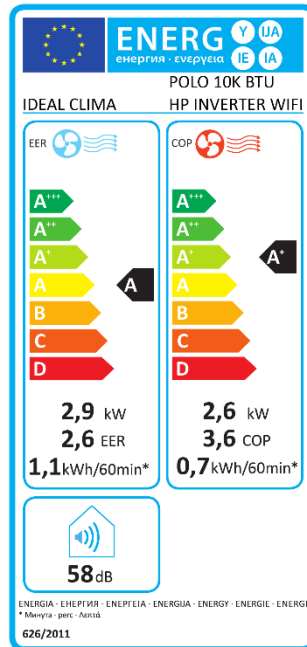
(3) External air temp. 7°C, WB 6°C; Room temp. 20°C, WB15°C

(4) Internal side sound pressure (dBA), measured at 2 meters Q=1

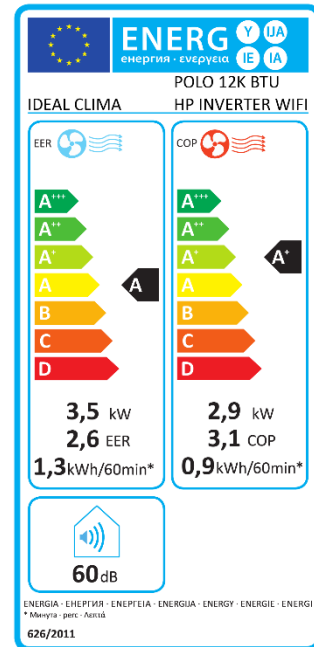
POLO 8K BTU
JUST COLD



POLO 10K BTU
HP INVERTER



POLO 12K BTU
HP INVERTER



Data and information reported are compiled with the utmost care. Ideal Clima Srl reserves the right to make all changes deemed necessary for the improvement of its products, and to the information and technical data reported, at any time and without notice. We assume no responsibility for typographical errors, omissions or inaccuracies. To verify relevant data for projects or creations, you are invited to contact the Ideal Clima Technical Office directly.

Ideal Clima Srl -Brescia
Tel: +39.030.3545319
Fax: +39.030.5109329
www.idealclima.eu

Ideal Clima is a trademark of Ideal Clima Srl – all rights reserved